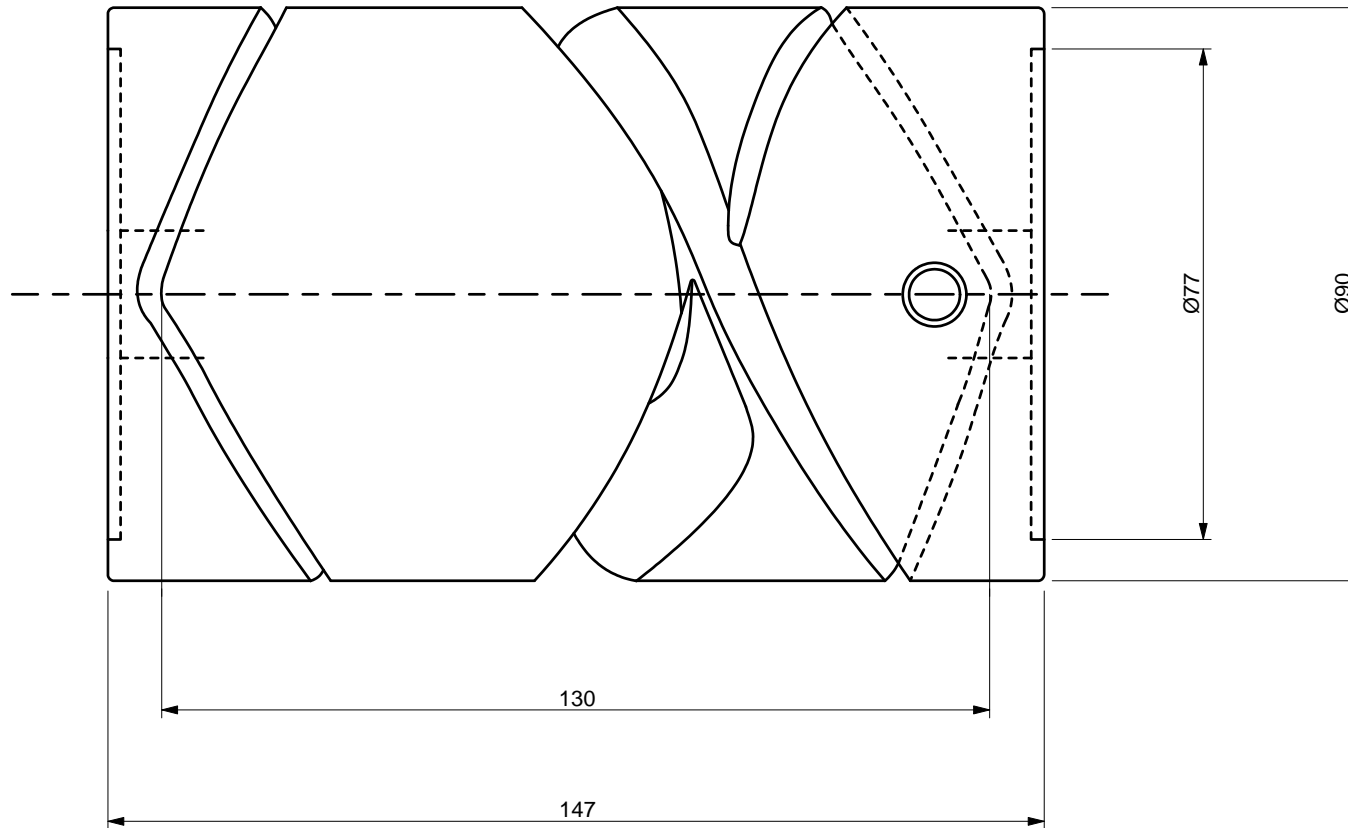


Mino Corporation



| | | | |
|----------|----------|--------|--|
| DRUM NO. | 530-1.02 | REF.NO | |
| MATERIAL | ALUMINUM | | |
| REMARKS | | | |