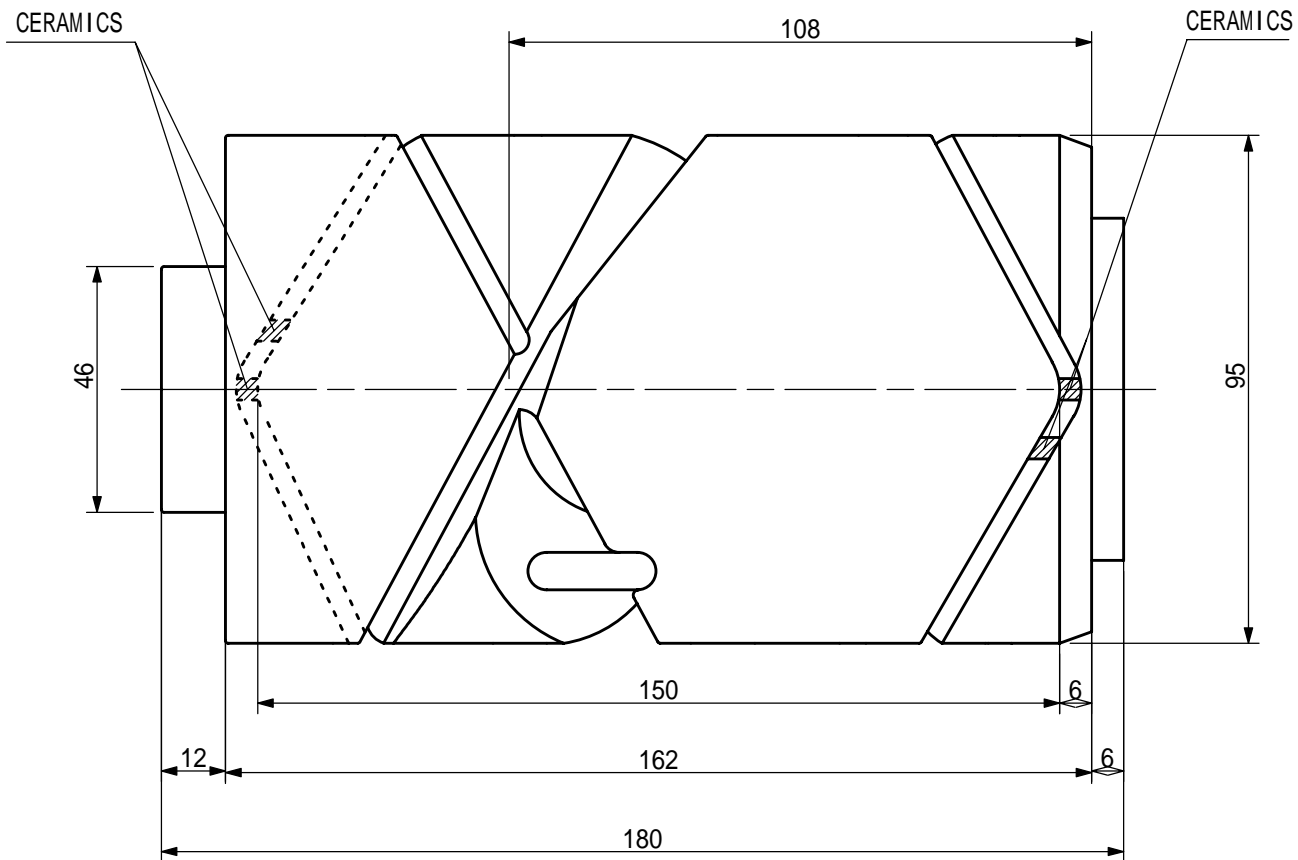


# Mino Corporation



DRUM NO.	630-11T.01-B4	REF. NO	4B-02747
MATERIAL	STEEL		
REMARKS	AVAILABLE WITHOUT CERAMICS INSERT		