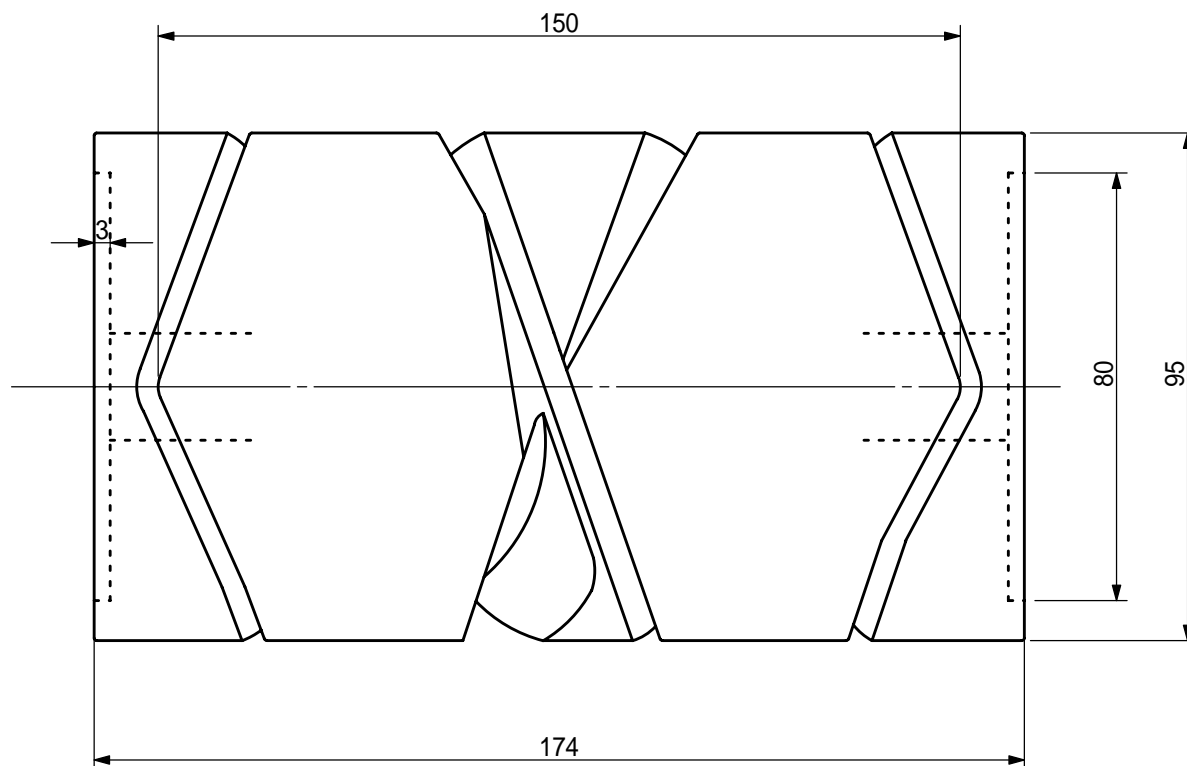


Mino Corporation



DRUM NO.	640-17.01	REF. NO	3A-00781
MATERIAL	ALUMINUM		
REMARKS	AVAILABLE WITH CERAMICS INSERT		