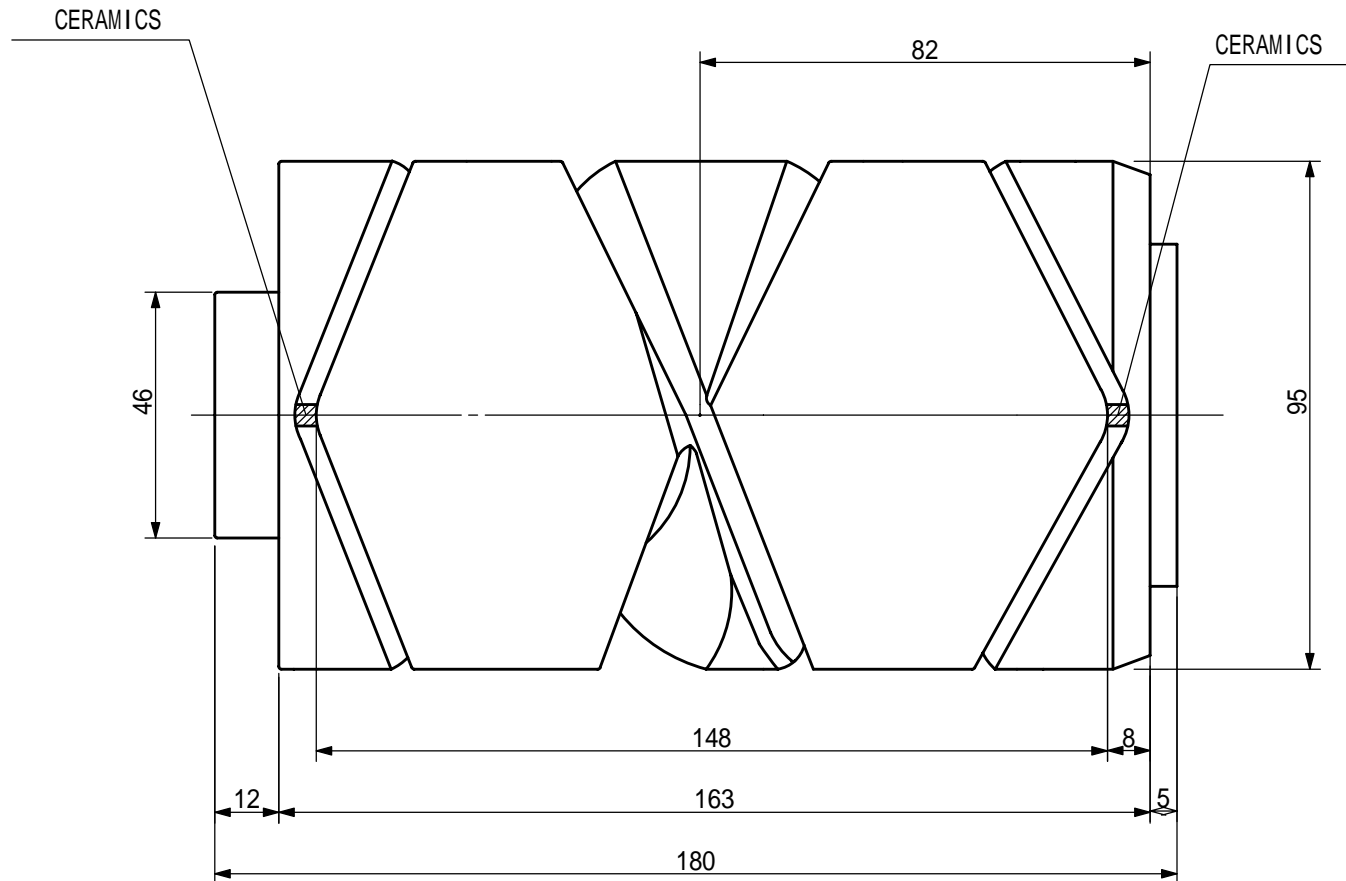


Mino Corporation



DRUM NO.	640-2T.01-B2	REF. NO	4B-02746-1
MATERIAL	STEEL		
REMARKS	AVAILABLE WITHOUT CERAMICS INSERT		