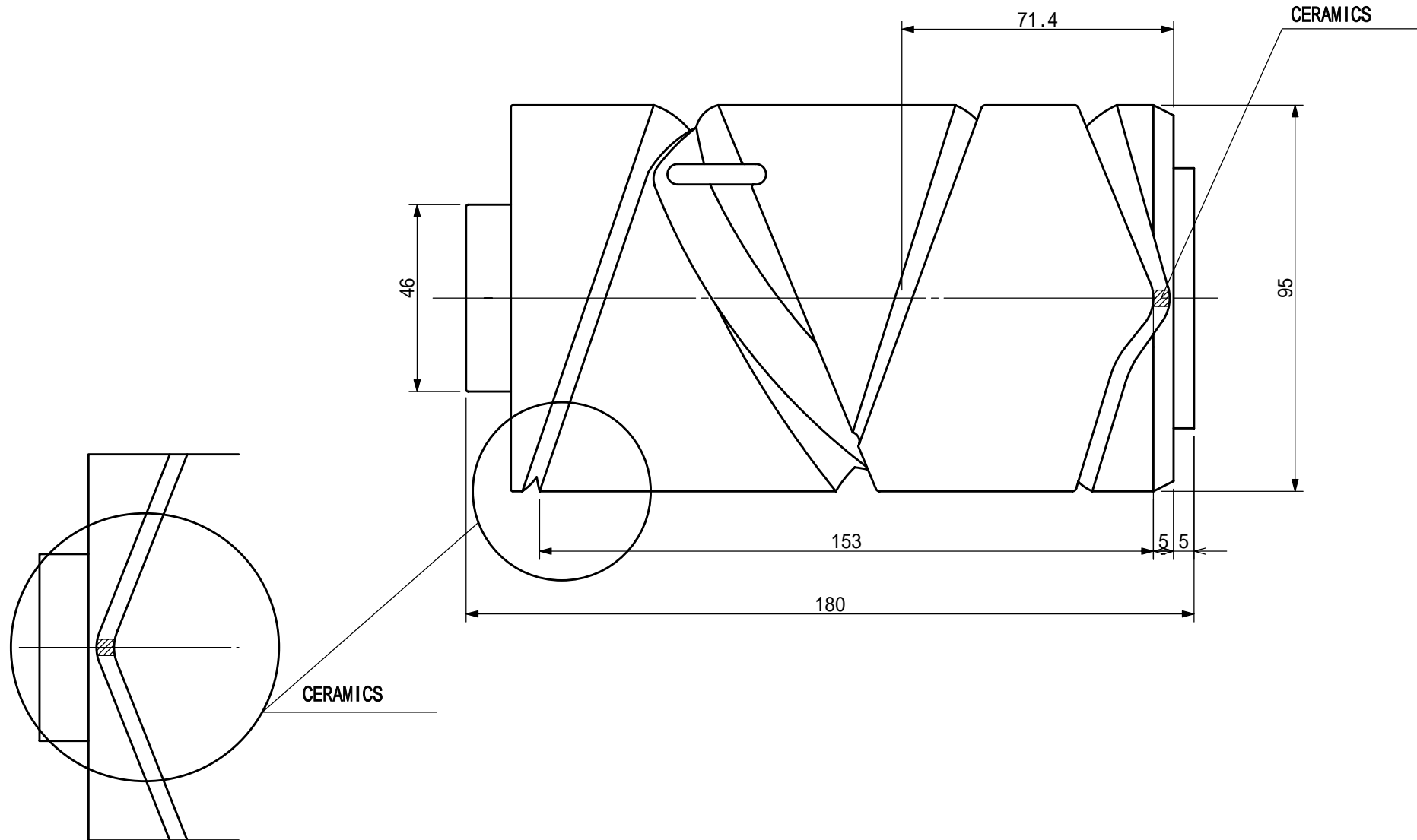


Mino Corporation



| | | | |
|----------|-----------------------------------|---------|----------|
| DRUM NO. | 640-3T.01-B2 | REF. NO | 3A-04833 |
| MATERIAL | STEEL | | |
| REMARKS | AVAILABLE WITHOUT CERAMICS INSERT | | |