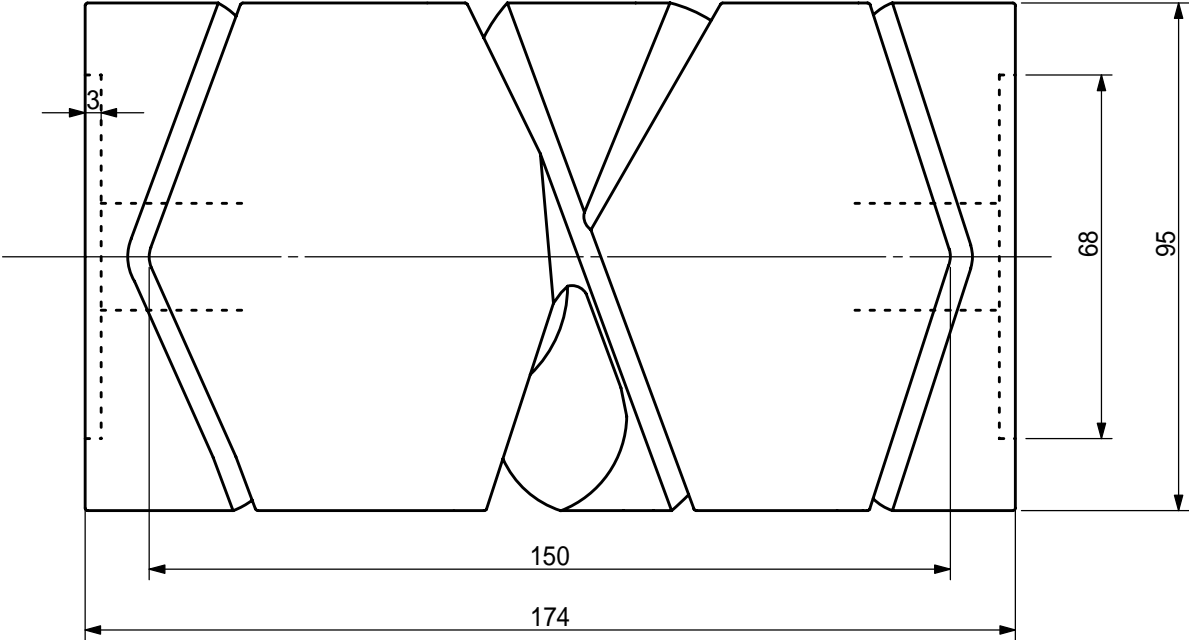


Mino Corporation



DRUM NO.	643-12.01	REF. NO	4B-87049
MATERIAL	ALUMINUM		
REMARKS	AVAILABLE WITH CERAMICS INSERT		