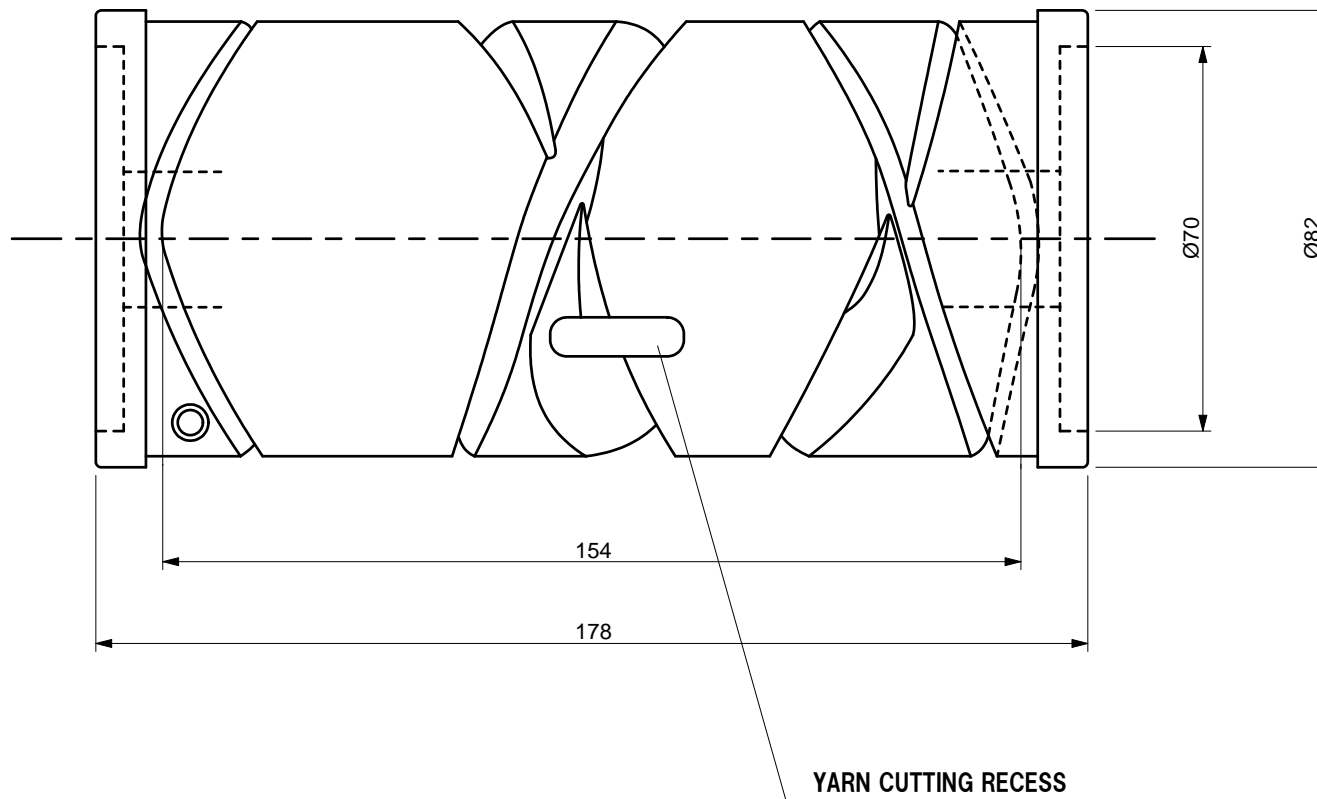


Mino Corporation



DRUM NO.	653-7.02	REF.NO	
MATERIAL	ALUMINUM		
REMARKS			