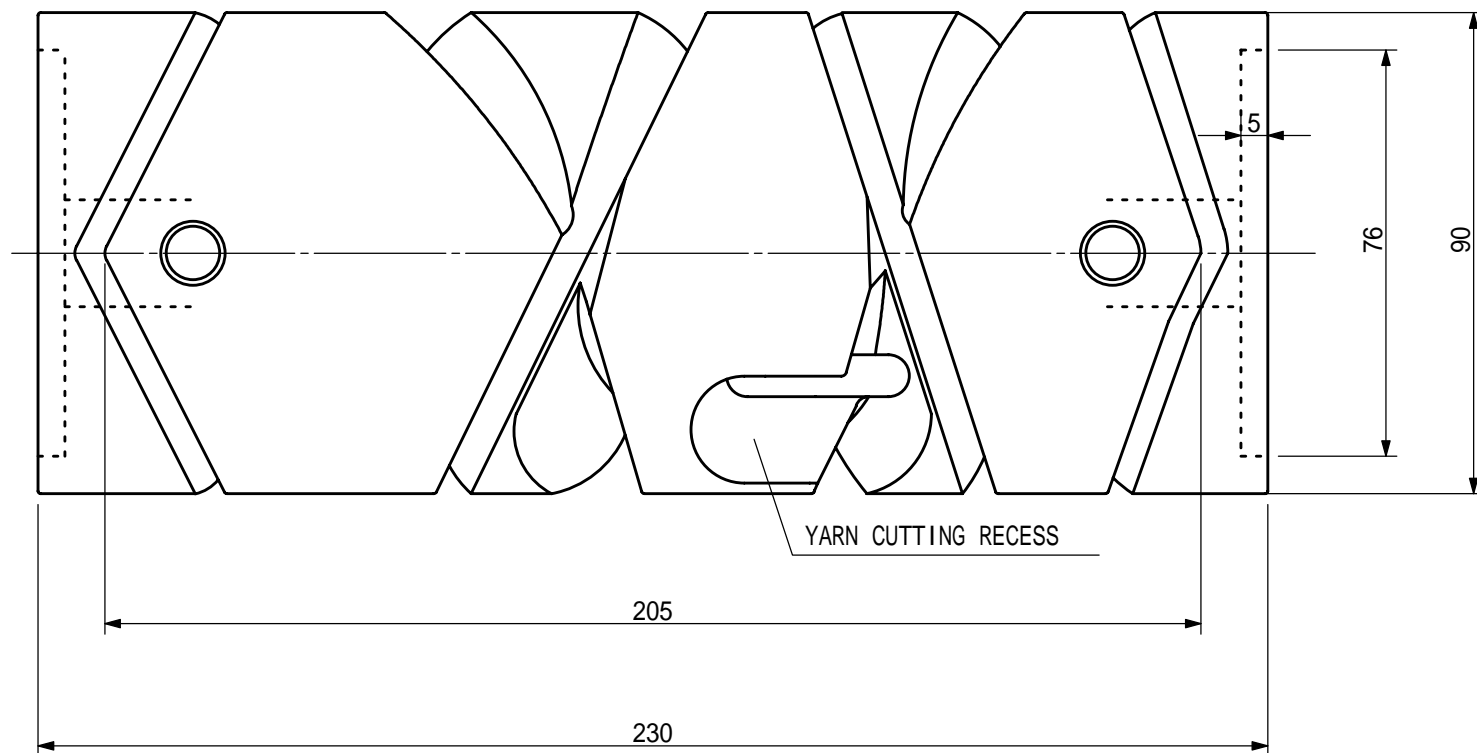


Mino Corporation



DRUM NO.	863-1.02	REF. NO.	
MATERIAL	ALUMINUM		
REMARKS	AVAILABLE WITH CERAMICS INSERT		